

# TREK EW17805

WALL

PROJECT



## DESCRIPTION

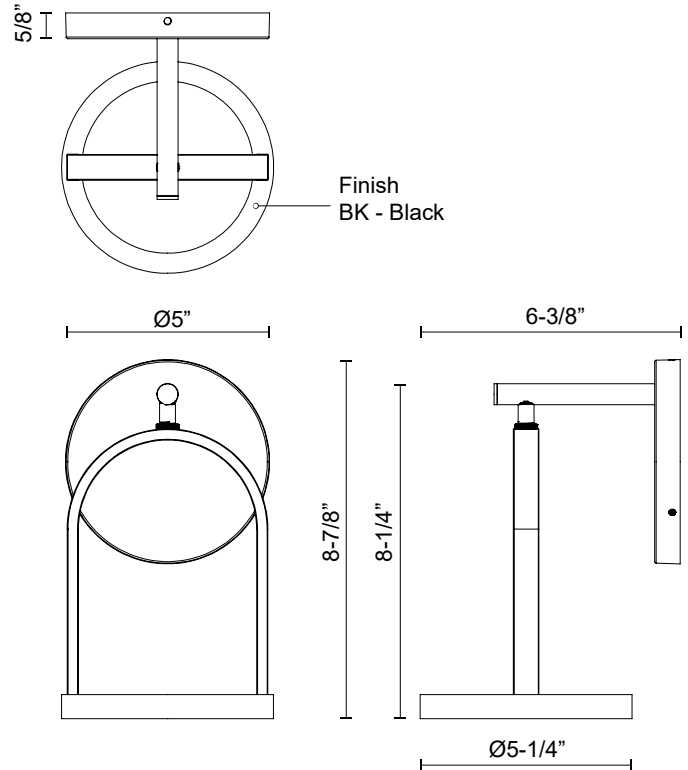
the Trek Outdoor Collection is a unique and modern take on a classic outdoor lamp post. The Trek Collection features a traditional lantern silhouette, with modern clean lines. A circular frame of illumination creates the perfect amount of both up and down light for all outdoor needs.

## SPECIFICATION DETAILS

|                             |   |
|-----------------------------|---|
| <b>Fixture Dimensions</b>   | W5-1/4" x H8-7/8" x E6-3/8"                             |
| <b>Light Source</b>         | LED with DC Driver                                      |
| <b>Wattage</b>              | 7W  |
| <b>Total Lumens</b>         | 680lm   |
| <b>Delivered Lumens</b>     | BK-107lm  |
| <b>Voltage</b>              | 120V  |
| <b>Color Temperature</b>    | 3000K   |
| <b>CRI (Ra)</b>             | 90CRI   |
| <b>Optional Color Temps</b> | 2700K - 5000K Available, Minimum Order Quantities Apply |
| <b>LED Rated Life</b>       | 50,000 hours  |
| <b>Dimming</b>              | 100% - 10%, TRIAC or ELV Dimmer (Not Included)          |
| <b>Diffuser Details</b>     | Frosted acrylic diffuser                                |
| <b>Location</b>             | Wet   |
| <b>Mounting Style</b>       | All Orientation; Wall;                                  |
| <b>CEC Title 24 JA8</b>     | Yes, JA8-2022   |
| <b>Canopy Dimensions</b>    | D5" x E5/8"   |
| <b>Paint Finish</b>         | BK02  |
| <b>Finish Option(s)</b>     | Black   |

\* For custom options, consult factory for details.

\* For warranty information, please visit [www.kuzcolighting.com/warranty](http://www.kuzcolighting.com/warranty)



# KUZCO

CANADA: 19054 28TH AVENUE - SURREY, BC V3Z 6M3

USA: 3035 E. LONE MOUNTAIN ROAD - LAS VEGAS, NV 89081

[WWW.KUZCOLIGHTING.COM](http://WWW.KUZCOLIGHTING.COM)

© 2021 KUZCO LIGHTING. ALL RIGHTS RESERVED.

## COMMENT

